



P1802 SYSTEM

INSTALLATION GUIDE

Guide Version: IG1802-I Rev. 1

NOTE: Inspect the Profile P1802 System components prior to installation for any damage which may have occurred during shipping. Report any damage found to Profile Systems, LLC immediately.

Installation of the Profile P1802 Precision Lighting Controller presents potential unsafe conditions including, but not limited to, electrical shock, improper voltage to components and improper operation that may cause personal injury or damage to property.

Installation of the Profile P1802 Precision Lighting Controller must be performed by qualified electrical contractors in good standing who are properly licensed to perform work in the municipality, county, and state where installation of Profile equipment will occur. Installation practices should follow recommendations and procedures as determined by the original equipment manufacturer(s) and should adhere to the application and use of the equipment as intended by the original equipment manufacturer(s).

P1802 SYSTEM

WIRING DIAGRAM

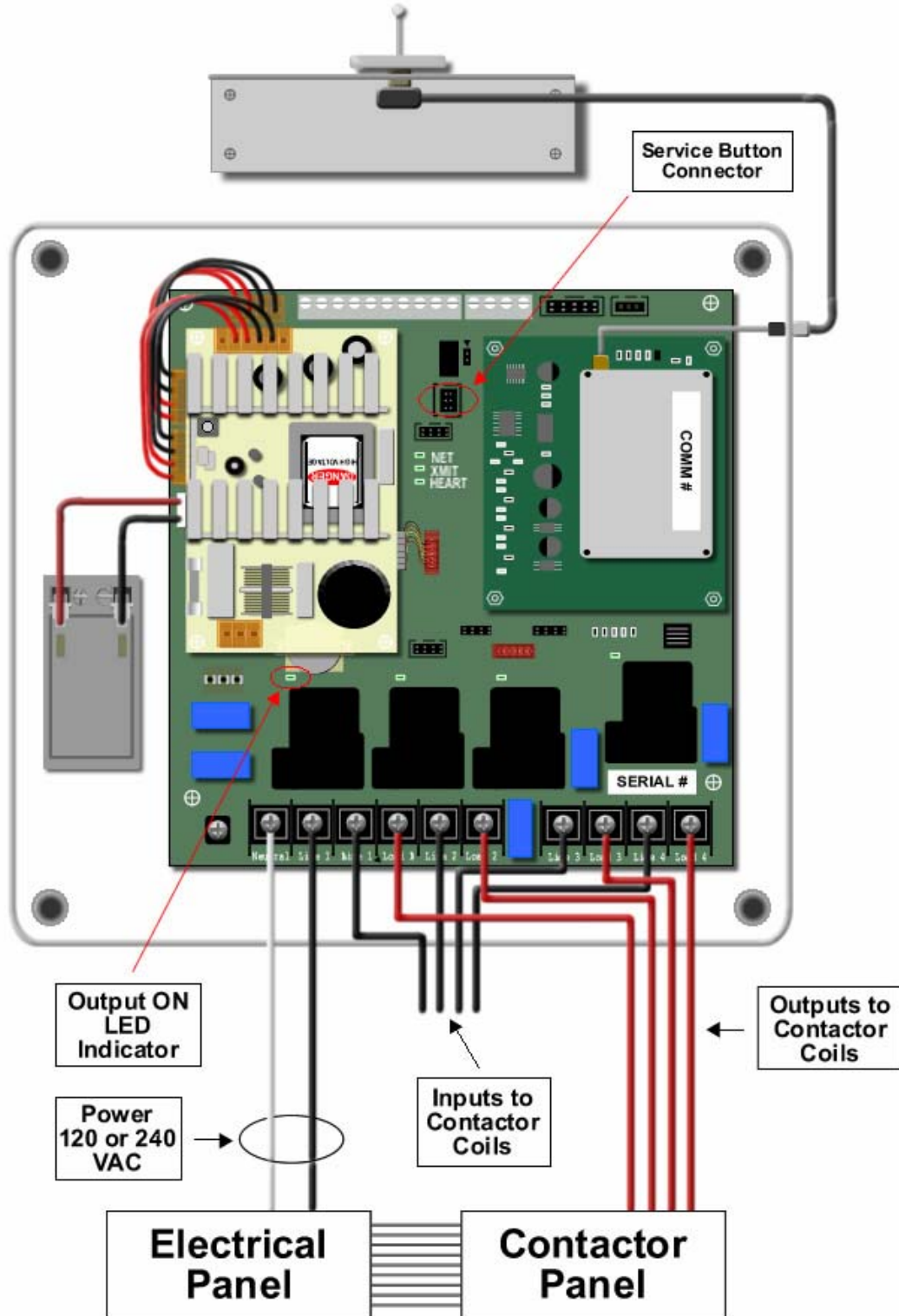


Fig. 1

- 1. Mount the P1802 unit through the holes indicated in the wiring diagram on page 2 in a manner that satisfies the following criteria:**
 - a. Unit is to be mounted in a plumb and level fashion using appropriate anchoring hardware near existing lighting electrical panel and/or contactors such that high voltage wiring and conduit requirements are minimized.
 - b. Unit is to be mounted in an area free of any door swing radius.
 - c. The antenna for wireless communications is to be mounted near the P1802 unit in a plumb and level fashion using appropriate anchoring hardware. Weak communications signal may require the antenna to be mounted outside the facility. This will require an extension of the coaxial cable to facilitate the exterior mounting location. All extension coaxial cables must be obtained by calling Profile Systems Customer Support.
- 2. Connect a 120vac or 240vac power source (from an independent breaker whenever possible) to “Neutral” & “Line 1” on the P1802 termination strip.**
- 3. Call Profile Customer Support at 1-800-898-5483 to complete step 1 of the commissioning procedure (see “P1802 System Commissioning Procedure”) before continuing installation.**
- 4. Complete the following steps for lighting control:**
 - a. Connect the other “Line” terminations across the P1802 termination strip.
 - b. Connect the loads to be controlled (i.e. exterior lighting) to the “Load” terminations on the P1802 termination strip via existing contactors.
- 5. Call Profile Systems Customer Support at 1-800-898-5483 to complete the commissioning procedure (see “P1802 System Commissioning Procedure”).**